

По вопросам продаж и поддержки обращайтесь:

Алматы (7273)495-231  
 Ангарск (3955)60-70-56  
 Архангельск (8182)63-90-72  
 Астрахань (8512)99-46-04  
 Барнаул (3852)73-04-60  
 Белгород (4722)40-23-64  
 Благовещенск (4162)22-76-07  
 Брянск (4832)59-03-52  
 Владивосток (423)249-28-31  
 Владикавказ (8672)28-90-48  
 Владимир (4922)49-43-18  
 Волгоград (844)278-03-48  
 Вологда (8172)26-41-59  
 Воронеж (473)204-51-73  
 Екатеринбург (343)384-55-89  
 Иваново (4932)77-34-06  
 Ижевск (3412)26-03-58  
 Иркутск (395)279-98-46  
 Казань (843)206-01-48

Калининград (4012)72-03-81  
 Калуга (4842)92-23-67  
 Кемерово (3842)65-04-62  
 Киров (8332)68-02-04  
 Коломна (4966)23-41-49  
 Кострома (4942)77-07-48  
 Краснодар (861)203-40-90  
 Красноярск (391)204-63-61  
 Курган (3522)50-90-47  
 Курск (4712)77-13-04  
 Липецк (4742)52-20-81  
 Магнитогорск (3519)55-03-13  
 Москва (495)268-04-70  
 Мурманск (8152)59-64-93  
 Набережные Челны (8552)20-53-41  
 Нижний Новгород (831)429-08-12  
 Новокузнецк (3843)20-46-81  
 Новосибирск (383)227-86-73  
 Ноябрьск (3496)41-32-12

Омск (3812)21-46-40  
 Орел (4862)44-53-42  
 Оренбург (3532)37-68-04  
 Пенза (8412)22-31-16  
 Пермь (342)205-81-47  
 Петрозаводск (8142)55-98-37  
 Псков (8112)59-10-37  
 Ростов-на Дону (863)308-18-15  
 Рязань (4912)46-61-64  
 Самара (846)206-03-16  
 Санкт-Петербург (812)309-46-40  
 Саранск (8342)22-96-24  
 Саратов (845)249-38-78  
 Севастополь (8692)22-31-93  
 Симферополь (3652)67-13-56  
 Смоленск (4812)29-41-54  
 Сочи (862)225-72-31  
 Ставрополь (8652)20-65-13  
 Сургут (3462)77-98-35

Сыктывкар (8212)25-95-17  
 Тамбов (4752)50-40-97  
 Тверь (4822)63-31-35  
 Тольятти (8482)63-91-07  
 Томск (3822)98-41-53  
 Тула (4872)33-79-87  
 Тюмень (3452)66-21-18  
 Улан-Удэ (3012)59-97-51  
 Ульяновск (8422)24-23-59  
 Уфа (347)229-48-12  
 Хабаровск (4212)92-98-04  
 Чебоксары (8352)28-53-07  
 Челябинск (351)202-03-61  
 Череповец (8202)49-02-64  
 Чита (3022)38-34-83  
 Якутск (4112)23-90-97  
 Ярославль (4852)69-52-93

Россия +7(495)268-04-70

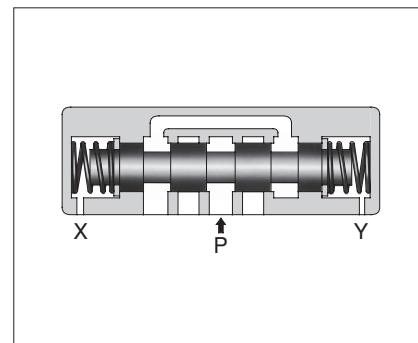
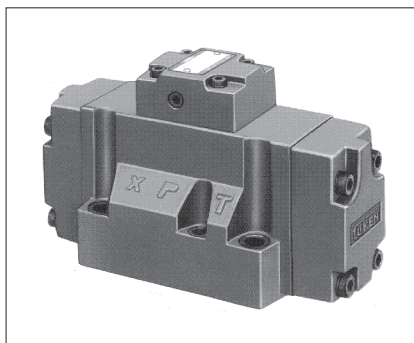
Казахстан +7(7172)727-132

Киргизия +996(312)96-26-47

yne@nt-rt.ru || <https://yuken.nt-rt.ru>

## Pilot Operated Directional Valves

These valves perform a change over of spool by hydraulic pilot and shift the direction of oil flow.



### Specifications

Model Numbers		Max. Flow* L/min	Max. Operating Pressure MPa	Max. Pilot Pressure MPa	Min. Required Pilot Pressure MPa
Spring Centered	DHG-04-3C * -50	300	31.5	25	0.8
No-Spring	DHG-04-2N * -50	300			
Spring Offset	DHG-04-2B * -50	130			
Spring Centered	DHG-06-3C * -50	500	31.5	25	0.8
No-Spring	DHG-06-2N * -50	500			
Spring Offset	DHG-06-2B * -50	140			
Pressure Centered	DHG-06-3H * -50	500		21	1.0
Spring Centered	DHG-10-3C * -40	1100	31.5	25	1.0
No-Spring	DHG-10-2N * -40	1100			
Spring Offset	DHG-10-2B * -40	460			
Pressure Centered	DHG-10-3H * -40	1100		21	

★ Maximum flow indicates a ceiling flow to keep valve operation (changeover) normal.

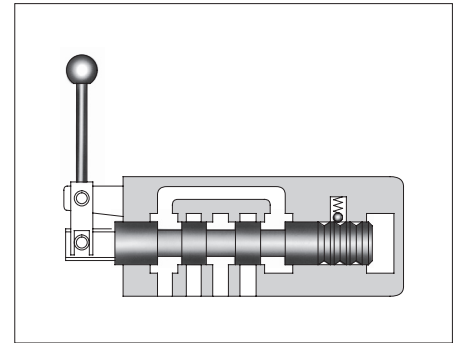
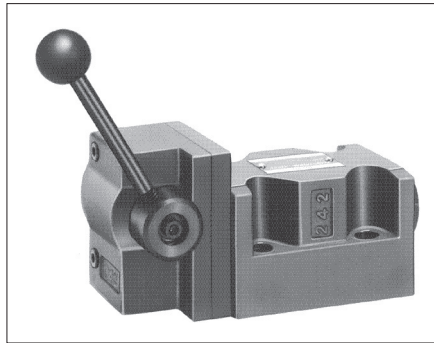
It depends on the type of valve and circuit, please contact us for details.

Note) Models for phosphate ester fluid are available. When phosphate ester fluid is used, prefix "F-" to the model number because the special seals (fluororubber) are required to be used.

● About high flow valves (Flange Connection Type), please contact us for details.

# Manually Operated Directional Valves

These valves may be used to manually shift the spool position and change the direction of oil flow.



## Specifications

Model Numbers	Maximum Flow <sup>Note)1</sup> L/min				Max. Operating Pressure MPa	Max. T-Line Back Pressure MPa	Approx. Mass kg	
	7 MPa	14 MPa	21 MPa	31.5 MPa				
Threaded Connections	DMT-03-3C * -50	100★ <sup>1</sup>	100★ <sup>1</sup>	100★ <sup>1</sup>	—	25	16	5.0
	DMT-03-3D * -50	100	100	100	—			
	DMT-03-2D * -50	100	100	100	—			
	DMT-03-2B * -50	100★ <sup>1</sup>	100★ <sup>1</sup>	100★ <sup>1</sup>	—			
	DMT-06 * -3C * -30	300 (200)★ <sup>2</sup>	300 (120)★ <sup>2</sup>	300 (100)★ <sup>2</sup>	—	21	At time spool shift is required: 7 At time spool shift is not required: 21	12.9
	DMT-06 * -3D * -30	300	300	300	—			
	DMT-06 * -2D * -30	300	300	300	—			
	DMT-06 * -2B * -30	200	120	100	—			
	DMT-10 * -3C * -30	500 (315)★ <sup>2</sup>	500 (315)★ <sup>2</sup>	500 (315)★ <sup>2</sup>	—	21	At time spool shift is required: 7 At time spool shift is not required: 21	22
	DMT-10 * -3D * -30	500	500	500	—			
DMT-10 * -2D * -30	500	500	500	—				
DMT-10 * -2B * -30	315	315	315	—				
Sub-plate Mounting	DMG-01-3C * -10	35	35	35	—	25	14★ <sup>6</sup>	1.8
	DMG-01-3D * -10							
	DMG-01-2D * -10							
	DMG-01-2B * -10							
	DMG-03-3C * -50	100★ <sup>1</sup>	100★ <sup>1</sup>	100★ <sup>1</sup>	—	25	16	4.0
	DMG-03-3D * -50	100	100	100	—			
	DMG-03-2D * -50	100	100	100	—			
	DMG-03-2B * -50	100★ <sup>1</sup>	100★ <sup>1</sup>	100★ <sup>1</sup>	—			
	DMG-04-3C * -21	200★ <sup>3</sup>	200★ <sup>3</sup>	105★ <sup>3</sup>	—	21	21★ <sup>7</sup>	7.4
	DMG-04-3D * -21	200	200	200	—			
	DMG-04-2D * -21	200	200	200	—			
	DMG-04-2B * -21	90	60	50	—			7.9
	DMG-06-3C * -50	500★ <sup>4</sup>	500★ <sup>4</sup>	500★ <sup>4</sup>	500★ <sup>4</sup>	31.5	21★ <sup>7</sup>	11.5
	DMG-06-3D * -50	500	500	500	500			
	DMG-06-2D * -50	500	500	500	500			
	DMG-06-2B * -50	420	300	250	200			12
	DMG-10-3C * -40	1100★ <sup>5</sup>	1100★ <sup>5</sup>	1100★ <sup>5</sup>	1100★ <sup>5</sup>	31.5	21★ <sup>7</sup>	48.2
	DMG-10-3D * -40	1100	1100	1100	1100			
DMG-10-2D * -40	1100	1100	1100	1100				
DMG-10-2B * -40	670	350	260	200	50			

Note) 1. The maximum flow means the limited flow of the valve. In case of pressure or flow condition, the lever operating torque of over DMG-04 size models is possible over 40 Nm.

- ★1. Varies depending on the spool type. For details, see the "List of Standard Models" for DSG-03 Series Solenoid Operated Directional Valves (page E-40 at 50 Hz rated voltage).
- ★2. The figures in parentheses indicate max. flow for 3C3,3C5, 3C6 and 3C60.
- ★3. Varies depending on the spool type. Please contact us for details.
- ★4. Varies depending on the spool type. Same as DSHG-06 (at pilot pressure of 0.8 MPa), see page E-77.
- ★5. Varies depending on the spool type. Same as DSHG-10 (at pilot pressure of 1.0 MPa), see page E-78.
- ★6. Lever operating torque varies depending on the T-line back pressure.
- ★7. If the T-Line back pressure exceeds 7 MPa, directly connect the drain port to the reservoir.
- About high flow valves (Flange Connection Type), please contact us for details.

———— For details of Manually Operated Directional Valves, please contact us. ————

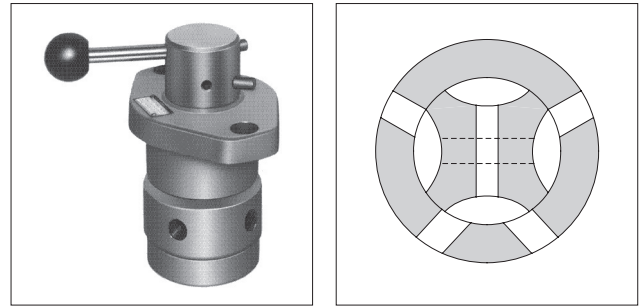
# Mechanically Operated Directional Valves

These valves are chiefly used to shift the pilot circuit. Rotary Type Directional Valves and Cam Operated Type Directional Valves are available.

## Rotary Type Directional Valves

These valves are used to rotate the spool either manually or by way of cam and shift the direction of oil flow.

The detented mechanism incorporated in these valves prevents the valve from being changed over by itself due to vibrations or any other shocks.



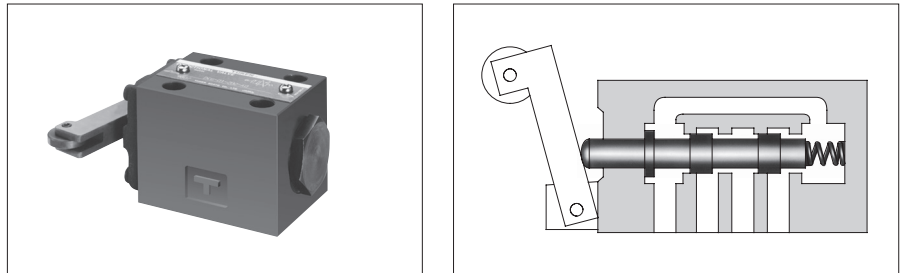
### Specifications

Model Numbers		Rated Flow L/min	Max. Operating Pressure MPa	Max. T-Line Pressure MPa	Approx. Mass kg	
Threaded Connection	Sub-plate Mounting				DRT Type	DRG Type
DRT-02-*D*-** *-20	DRG-02-*D*-** *-20	16	7	7*	4.7	3.4

★ When a back pressure of more than 3 MPa is generated in the tank port, be sure to use External Drain Type.

## Cam Operated Directional Valves

These valves may be used to shift the direction of oil flow by depressing the spool by way of cam.



### Specifications

Model Numbers		Max. Flow* L/min	Max. Operating Pressure MPa	Max. T-Line Pressure MPa	Approx. Mass kg	
Threaded Connection	Sub-plate Mounting				DCT Type	DCG Type
DCT-01-2B*-** *-40	DCG-01-2B*-** *-40	30	21	7	1.1	1.1
DCT-03-2B*-** *-50	DCG-03-2B*-** *-50	100	25	10	4.5	2.9

★ Max. flow indicates the ceiling flow which does not affect the normal function (changeover) of valves.

По вопросам продаж и поддержки обращайтесь:

Алматы (7273)495-231  
 Ангарск (3955)60-70-56  
 Архангельск (8182)63-90-72  
 Астрахань (8512)99-46-04  
 Барнаул (3852)73-04-60  
 Белгород (4722)40-23-64  
 Благовещенск (4162)22-76-07  
 Брянск (4832)59-03-52  
 Владивосток (423)249-28-31  
 Владикавказ (8672)28-90-48  
 Владимир (4922)49-43-18  
 Волгоград (844)278-03-48  
 Вологда (8172)26-41-59  
 Воронеж (473)204-51-73  
 Екатеринбург (343)384-55-89  
 Иваново (4932)77-34-06  
 Ижевск (3412)26-03-58  
 Иркутск (395)279-98-46  
 Казань (843)206-01-48

Калининград (4012)72-03-81  
 Калуга (4842)92-23-67  
 Кемерово (3842)65-04-62  
 Киров (8332)68-02-04  
 Коломна (4966)23-41-49  
 Кострома (4942)77-07-48  
 Краснодар (861)203-40-90  
 Красноярск (391)204-63-61  
 Курган (3522)50-90-47  
 Курск (4712)77-13-04  
 Липецк (4742)52-20-81  
 Магнитогорск (3519)55-03-13  
 Москва (495)268-04-70  
 Мурманск (8152)59-64-93  
 Набережные Челны (8552)20-53-41  
 Нижний Новгород (831)429-08-12  
 Новокузнецк (3843)20-46-81  
 Новосибирск (383)227-86-73  
 Ноябрьск (3496)41-32-12

Омск (3812)21-46-40  
 Орел (4862)44-53-42  
 Оренбург (3532)37-68-04  
 Пенза (8412)22-31-16  
 Пермь (342)205-81-47  
 Петрозаводск (8142)55-98-37  
 Псков (8112)59-10-37  
 Ростов-на-Дону (863)308-18-15  
 Рязань (4912)46-61-64  
 Самара (846)206-03-16  
 Санкт-Петербург (812)309-46-40  
 Саранск (8342)22-96-24  
 Саратов (845)249-38-78  
 Севастополь (8692)22-31-93  
 Симферополь (3652)67-13-56  
 Смоленск (4812)29-41-54  
 Сочи (862)225-72-31  
 Ставрополь (8652)20-65-13  
 Сургут (3462)77-98-35

Сыктывкар (8212)25-95-17  
 Тамбов (4752)50-40-97  
 Тверь (4822)63-31-35  
 Тольятти (8482)63-91-07  
 Томск (3822)98-41-53  
 Тула (4872)33-79-87  
 Тюмень (3452)66-21-18  
 Улан-Удэ (3012)59-97-51  
 Ульяновск (8422)24-23-59  
 Уфа (347)229-48-12  
 Хабаровск (4212)92-98-04  
 Чебоксары (8352)28-53-07  
 Челябинск (351)202-03-61  
 Череповец (8202)49-02-64  
 Чита (3022)38-34-83  
 Якутск (4112)23-90-97  
 Ярославль (4852)69-52-93

Россия +7(495)268-04-70

Казахстан +7(7172)727-132

Киргизия +996(312)96-26-47