

Алматы (7273)495-231
 Ангарск (3955)60-70-56
 Архангельск (8182)63-90-72
 Астрахань (8512)99-46-04
 Барнаул (3852)73-04-60
 Белгород (4722)40-23-64
 Благовещенск (4162)22-76-07
 Брянск (4832)59-03-52
 Владивосток (423)249-28-31
 Владикавказ (8672)28-90-48
 Владимир (4922)49-43-18
 Волгоград (844)278-03-48
 Вологда (8172)26-41-59
 Воронеж (473)204-51-73
 Екатеринбург (343)384-55-89
 Иваново (4932)77-34-06
 Ижевск (3412)26-03-58
 Иркутск (395)279-98-46
 Казань (843)206-01-48

Калининград (4012)72-03-81
 Калуга (4842)92-23-67
 Кемерово (3842)65-04-62
 Киров (8332)68-02-04
 Коломна (4966)23-41-49
 Кострома (4942)77-07-48
 Краснодар (861)203-40-90
 Красноярск (391)204-63-61
 Курган (3522)50-90-47
 Курск (4712)77-13-04
 Липецк (4742)52-20-81
 Магнитогорск (3519)55-03-13
 Москва (495)268-04-70
 Мурманск (8152)59-64-93
 Набережные Челны (8552)20-53-41
 Нижний Новгород (831)429-08-12
 Новокузнецк (3843)20-46-81
 Новосибирск (383)227-86-73
 Ноябрьск (3496)41-32-12

Омск (3812)21-46-40
 Орел (4862)44-53-42
 Оренбург (3532)37-68-04
 Пенза (8412)22-31-16
 Пермь (342)205-81-47
 Петрозаводск (8142)55-98-37
 Псков (8112)59-10-37
 Ростов-на Дону (863)308-18-15
 Рязань (4912)46-61-64
 Самара (846)206-03-16
 Санкт-Петербург (812)309-46-40
 Саранск (8342)22-96-24
 Саратов (845)249-38-78
 Севастополь (8692)22-31-93
 Симферополь (3652)67-13-56
 Смоленск (4812)29-41-54
 Сочи (862)225-72-31
 Ставрополь (8652)20-65-13
 Сургут (3462)77-98-35

Сыктывкар (8212)25-95-17
 Тамбов (4752)50-40-97
 Тверь (4822)63-31-35
 Тольятти (8482)63-91-07
 Томск (3822)98-41-53
 Тула (4872)33-79-87
 Тюмень (3452)66-21-18
 Улан-Удэ (3012)59-97-51
 Ульяновск (8422)24-23-59
 Уфа (347)229-48-12
 Хабаровск (4212)92-98-04
 Чебоксары (8352)28-53-07
 Челябинск (351)202-03-61
 Череповец (8202)49-02-64
 Чита (3022)38-34-83
 Якутск (4112)23-90-97
 Ярославль (4852)69-52-93

Россия +7(495)268-04-70

Казахстан +7(7172)727-132

Киргизия +996(312)96-26-47

yne@nt-rt.ru || https://yuken.nt-rt.ru

Explosion Proof (Flameproof) Type Solenoid Operated Directional Valves

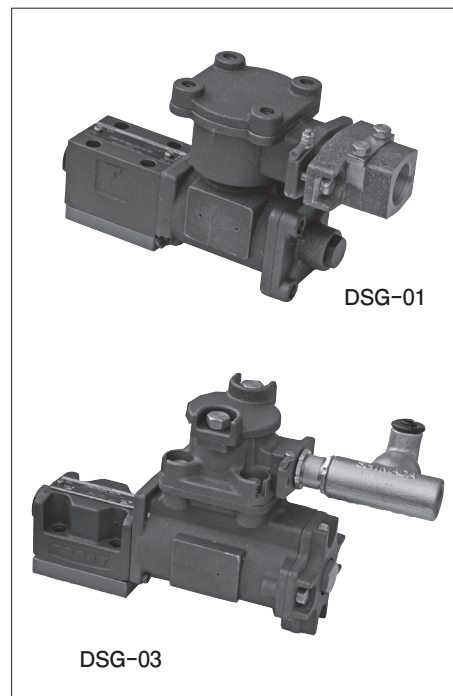
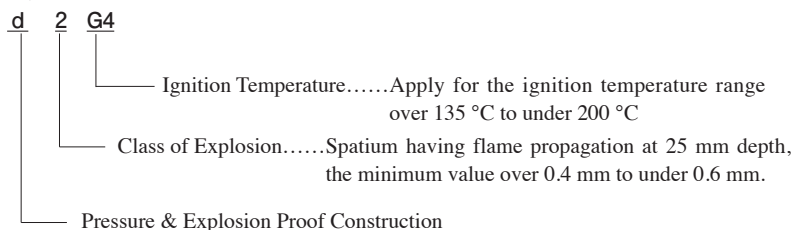
“Even if explosive gas invasion from outside into vessel cause internal ignition or explosion, substantially isolate ignition source in vessel by special elaborating to vessel structure for avoiding any bad influence externally.” is the point of pressure & explosion proof construction.

On this point of view, YUKEN's Explosion Proof Type Solenoid Operated Directional Valves involve solenoid and receptacle in the vessel with all closed pressure proof structure.

If explosion of explosive gas happened in vessel, the vessel could stand the pressure and there is no danger to ignite external explosive gas.

Usable at the danger zone 1 & 2.

Type of Explosion Proof



Technology Institution of Industrial Safety Certificate Number

Model Numbers	Certificate Number	
	Threaded Conduit Connection	Pressure Proof Packing Type
DSG-01	T67046	T67037
DSG-03	T67047	T67036

Specifications

Model Numbers	Max. Flow* L/min	Max. Operating Pressure MPa	Max. T-Line Back Pressure MPa	Max. Changeover Frequency min ⁻¹	Mass kg
DSG-01-3C * - * X * -70	100	35	14	300 : With DC Solenoid 120 : With R Solenoid	7.75
DSG-01-2D2- * X * -70					7.75
DSG-01-2B * - * X * -70					4.35
DSG-03-3C * - * X * -51	120	31.5 [Spool Type 60 Only 25]	16	240 : With DC Solenoid 120 : With R Solenoid	18.2
DSG-03-2D2- * X * -51					18.2
DSG-03-2B * - * X * -51					10.2

* The maximum flow means the limited flow without inducing any abnormality to the operation (changeover) of the valve. The maximum flow differs according to the spool type and operating conditions. For details, please contact us.

■ Interchangeability in Installation between Current and New Design

For further improvement of reliability, Explosion Proof Type Solenoid Operated Directional Valves have been upgraded as below.

DSG-01 : 50 Design → 70 Design

DSG-03 : 50 Design → 51 Design

● Cable Departure

As of threaded conduit connection type, add sealing fitting on the cable departure. With this arrangement, the certificate number also changed.

Model Numbers	Certificate Number		
	(Current)	(New)	
		Threaded Conduit Connection Type	Pressure Proof Packing Type
DSG-01	T32873	T67046	T67037
DSG-03	T43853	T67047	T67036

● Specifications / Characteristics

DSG-01 models improve high pressure and high flow.

Model Numbers	Max. Flow L/min	Max. Operating Pressure MPa	Max. T-Line Back Pressure MPa	Max. Changeover Frequency min ⁻¹	Mass kg	
					3C*/2D*	2B*
(New) 70 Design	100	35	14	300 : With DC Solenoid 120 : With R Solenoid	7.75	4.35
(Current) 50 Design	35	31.5 (3C60 : 25)		120	7.3	4.1

DSG-03 have no changes between current and new models.

● Interchangeability in Installation between Current and New Design

There are some changes in dimensions concerned sealing fitting, but there is interchangeability in installation between current and new design.

———— Please contact us for details about Explosion Proof (Flameproof) Type Solenoid Operated Directional Valves. ————

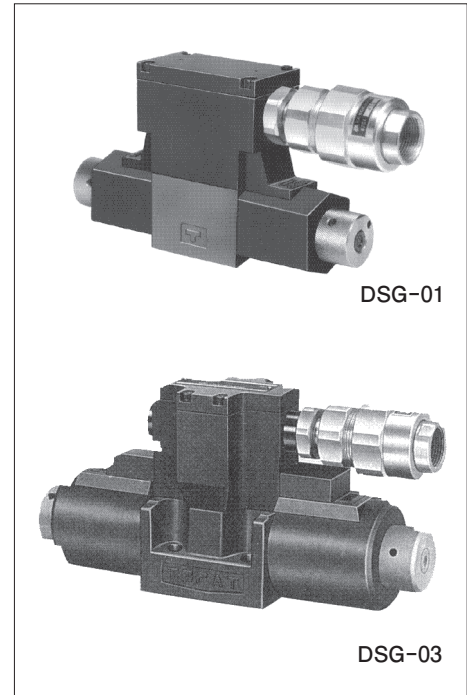


Explosion Proof (Increased Safety) Type Solenoid Operated Directional Valves

“As of electrical machinery which has no spark parts or hot section being ignition source, especially increase safety and avoid trouble - Increased Safety of Electrical Machinery with No Spark” is the point of explosion proof (increased safety) construction.

On this point of view, YUKEN's Explosion Proof (Increased Safety) Type Solenoid Operated Directional Valves increased safety about high temperature, isolation and locking mechanism.

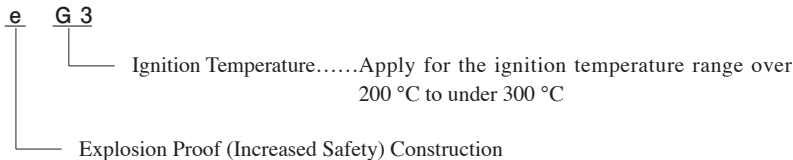
But explosion proof in case of internal trouble is not guaranteed, so please decide propriety of use considering about surround conditions and maintenance management. Please use at the danger zone 2 in general, not recommend to use at zone 1.



DSG-01

DSG-03

Type of Explosion Proof



Technology Institution of Industrial Safety Certificate Number

- DSG-01 With DC Solenoid : T48037
With AC Solenoid : T48038
(Rectifier Incorporated Type)
- DSG-03 With DC Solenoid : T47687
With AC Solenoid : T47688
(Rectifier Incorporated Type)

— Please contact us for details about Explosion Proof (Increased Safety) Type Solenoid Operated Directional Valves. —

Specifications

Model Numbers	Max. Flow* L/min	Max. Operating Pressure MPa	Max. T-Line Back Pressure MPa	Max. Changeover Frequency min ⁻¹	Mass kg
DSG-01-3C*-Y*-51	63	31.5 [Spool Type 60 Only 25]	16	240 : With DC Solenoid 120 : With R Solenoid	2.8
DSG-01-2D2-Y*-51					2.8
DSG-01-2B*-Y*-51					2.2
DSG-03-3C*-Y*-50	120	31.5 [Spool Type 5 & 60 Only 25]	16	240 : With DC Solenoid 120 : With R Solenoid	5.8
DSG-03-2D2-Y*-50					5.8
DSG-03-2B*-Y*-50					4.4

★ Maximum flow indicates a ceiling flow to keep valve operation (changeover) normal.
It depends on the type of spool and operating condition, please contact us for details.

По вопросам продаж и поддержки обращайтесь:

Алматы (7273)495-231
Ангарск (3955)60-70-56
Архангельск (8182)63-90-72
Астрахань (8512)99-46-04
Барнаул (3852)73-04-60
Белгород (4722)40-23-64
Благовещенск (4162)22-76-07
Брянск (4832)59-03-52
Владивосток (423)249-28-31
Владикавказ (8672)28-90-48
Владимир (4922)49-43-18
Волгоград (844)278-03-48
Вологда (8172)26-41-59
Воронеж (473)204-51-73
Екатеринбург (343)384-55-89
Иваново (4932)77-34-06
Ижевск (3412)26-03-58
Иркутск (395)279-98-46
Казань (843)206-01-48

Калининград (4012)72-03-81
Калуга (4842)92-23-67
Кемерово (3842)65-04-62
Киров (8332)68-02-04
Коломна (4966)23-41-49
Кострома (4942)77-07-48
Краснодар (861)203-40-90
Красноярск (391)204-63-61
Курган (3522)50-90-47
Курск (4712)77-13-04
Липецк (4742)52-20-81
Магнитогорск (3519)55-03-13
Москва (495)268-04-70
Мурманск (8152)59-64-93
Набережные Челны (8552)20-53-41
Нижний Новгород (831)429-08-12
Новокузнецк (3843)20-46-81
Новосибирск (383)227-86-73
Ноябрьск (3496)41-32-12

Омск (3812)21-46-40
Орел (4862)44-53-42
Оренбург (3532)37-68-04
Пенза (8412)22-31-16
Пермь (342)205-81-47
Петрозаводск (8142)55-98-37
Псков (8112)59-10-37
Ростов-на-Дону (863)308-18-15
Рязань (4912)46-61-64
Самара (846)206-03-16
Санкт-Петербург (812)309-46-40
Саранск (8342)22-96-24
Саратов (845)249-38-78
Севастополь (8692)22-31-93
Симферополь (3652)67-13-56
Смоленск (4812)29-41-54
Сочи (862)225-72-31
Ставрополь (8652)20-65-13
Сургут (3462)77-98-35

Сыктывкар (8212)25-95-17
Тамбов (4752)50-40-97
Тверь (4822)63-31-35
Тольятти (8482)63-91-07
Томск (3822)98-41-53
Тула (4872)33-79-87
Тюмень (3452)66-21-18
Улан-Удэ (3012)59-97-51
Ульяновск (8422)24-23-59
Уфа (347)229-48-12
Хабаровск (4212)92-98-04
Чебоксары (8352)28-53-07
Челябинск (351)202-03-61
Череповец (8202)49-02-64
Чита (3022)38-34-83
Якутск (4112)23-90-97
Ярославль (4852)69-52-93