

YA-e pack has obtained extensive energy-saving effect by combination of the variable displacement piston pump which can hold pressure and the personal inverter controller which controls rotational frequency by detecting a load pressure.

● Significant Reduction of Power Consumption

E-YA37 type of this power unit, compared to current YA pack, has reduced max. 70% of power consumption at full cut-off pressure.

● Low Heat Generation

E-YA37 type of this power unit, compared to current YA pack, has reduced more than 20°C of the fluid temperature increase at full cut-off pressure.

● Low Noise

By decreasing the motor speed at full cut-off pressure, it is possible to reduce the noise level extensively.

● Discharge volume can be set to a certain volume at 50/60 Hz.

YA-e pack can set the rotation speed at the maximum output flow less than 1800 r/min, regardless the power supply frequency.
(The minimum rotation speed is 300 r/min with the suction capacity of pump)

● Easy to configure the control circuit

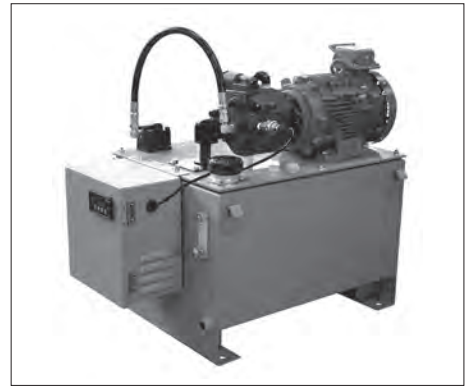
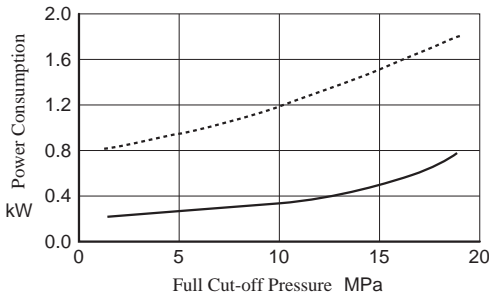
The control circuit with modular valve is available, so it is possible to configure the control circuit compactly.

● Continuous operation is possible even at breakdown of the pressure sensor or the inverter

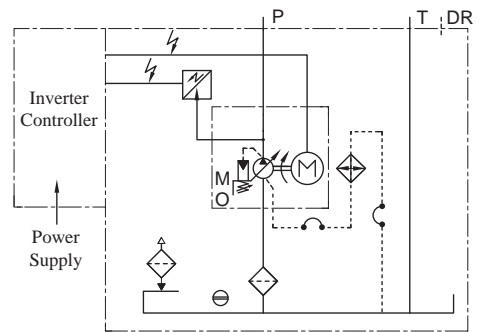
Operation at a certain rotation speed is possible even without receiving a signal from the pressure sensor due to breaking of wire or malfunction of the pressure sensor. In case of malfunction of the inverter itself, the same operation mentioned above is possible by reconnecting of the primary power supply to the motor.

■ Characteristics Comparison with Standard Type

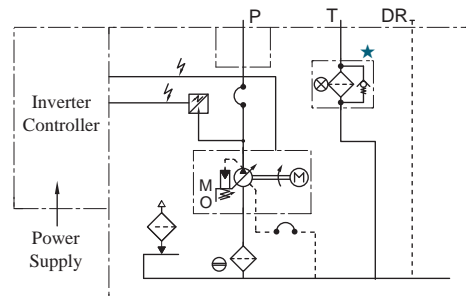
● Power Consumption at Full Cut-off Pressure



Hydraulic Circuit



E-YA16-B-2



E-YA*-*/6/10

★ 60L (E-YA*-*/6) is option embedded.

По вопросам продаж и поддержки обращайтесь:

Алматы (7273)495-231
 Ангарск (3955)60-70-56
 Архангельск (8182)63-90-72
 Астрахань (8512)99-46-04
 Барнаул (3852)73-04-60
 Белгород (4722)40-23-64
 Благовещенск (4162)22-76-07
 Брянск (4832)59-03-52
 Владивосток (423)249-28-31
 Владикавказ (8672)28-90-48
 Владимир (4922)49-43-18
 Волгоград (844)278-03-48
 Вологда (8172)26-41-59
 Воронеж (473)204-51-73
 Екатеринбург (343)384-55-89
 Иваново (4932)77-34-06
 Ижевск (3412)26-03-58
 Иркутск (395)279-98-46
 Казань (843)206-01-48

Калининград (4012)72-03-81
 Калуга (4842)92-23-67
 Кемерово (3842)65-04-62
 Киров (8332)68-02-04
 Коломна (4966)23-41-49
 Кострома (4942)77-07-48
 Краснодар (861)203-40-90
 Красноярск (391)204-63-61
 Курган (3522)50-90-47
 Курск (4712)77-13-04
 Липецк (4742)52-20-81
 Магнитогорск (3519)55-03-13
 Москва (495)268-04-70
 Мурманск (8152)59-64-93
 Набережные Челны (8552)20-53-41
 Нижний Новгород (831)429-08-12
 Новокузнецк (3843)20-46-81
 Новосибирск (383)227-86-73
 Ноябрьск (3496)41-32-12

Омск (3812)21-46-40
 Орел (4862)44-53-42
 Оренбург (3532)37-68-04
 Пенза (8412)22-31-16
 Пермь (342)205-81-47
 Петрозаводск (8142)55-98-37
 Псков (8112)59-10-37
 Ростов-на-Дону (863)308-18-15
 Рязань (4912)46-61-64
 Самара (846)206-03-16
 Санкт-Петербург (812)309-46-40
 Саранск (8342)22-96-24
 Саратов (845)249-38-78
 Севастополь (8692)22-31-93
 Симферополь (3652)67-13-56
 Смоленск (4812)29-41-54
 Сочи (862)225-72-31
 Ставрополь (8652)20-65-13
 Сургут (3462)77-98-35

Сыктывкар (8212)25-95-17
 Тамбов (4752)50-40-97
 Тверь (4822)63-31-35
 Тольятти (8482)63-91-07
 Томск (3822)98-41-53
 Тула (4872)33-79-87
 Тюмень (3452)66-21-18
 Улан-Удэ (3012)59-97-51
 Ульяновск (8422)24-23-59
 Уфа (347)229-48-12
 Хабаровск (4212)92-98-04
 Чебоксары (8352)28-53-07
 Челябинск (351)202-03-61
 Череповец (8202)49-02-64
 Чита (3022)38-34-83
 Якутск (4112)23-90-97
 Ярославль (4852)69-52-93

Россия +7(495)268-04-70

Казахстан +7(7172)727-132

Киргизия +996(312)96-26-47

Specifications

Model Numbers	Geometric Displacement of Pump cm ³ /rev	Max. Operating Pres. MPa	Pres. Adj. Range MPa	Reservoir Capacity L	Electric Motor 50 Hz : 200 V AC 60 Hz : 200/220/230 V AC	Mass (excluding hydraulic fluid) kg
E-YA10-B-6-2.2-51	10.0	7	1.2 - 7	60	2.2 kW×4P	89
E-YA10-C-10-2.2-51		16	2.0 - 16	100		115
E-YA10-C-10-3.7-51						3.7 kW×4P
E-YA16-B-2-0.75-52	15.8	7	1.2 - 7	18	0.75 kW×4P	47
E-YA16-B-2-1.5-50				18	1.5 kW×4P	51
E-YA16-B-2-2.2-50				18	2.2 kW×4P	58
E-YA16-B-6-2.2-50		60	7	1.2 - 7	3.7 kW×4P	90
E-YA16-B-6-3.7-50					2.2 kW×4P	104
E-YA16-B-10-2.2-50					3.7 kW×4P	115
E-YA16-C-10-3.7-50		16	2.0 - 16	100	3.7 kW×4P	131
E-YA16-C-10-5.5-50					5.5 kW×4P	159
E-YA16-C-10-7.5-50					7.5 kW×4P	172
E-YA22-B-6-2.2-50	22.2	7	1.2 - 7	60	2.2 kW×4P	90
E-YA22-B-6-3.7-50					3.7 kW×4P	104
E-YA22-B-10-2.2-50					2.2 kW×4P	120
E-YA22-B-10-3.7-50		100	7	1.2 - 7	3.7 kW×4P	156
E-YA22-C-10-5.5-50					5.5 kW×4P	159
E-YA22-C-10-7.5-50					7.5 kW×4P	172
E-YA37-B-10-3.7-50	36.9	7	1.2 - 7	100	3.7 kW×4P	151
E-YA37-B-16-5.5-50				160	5.5 kW×4P	189
E-YA37-B-16-7.5-50					7.5 kW×4P	197

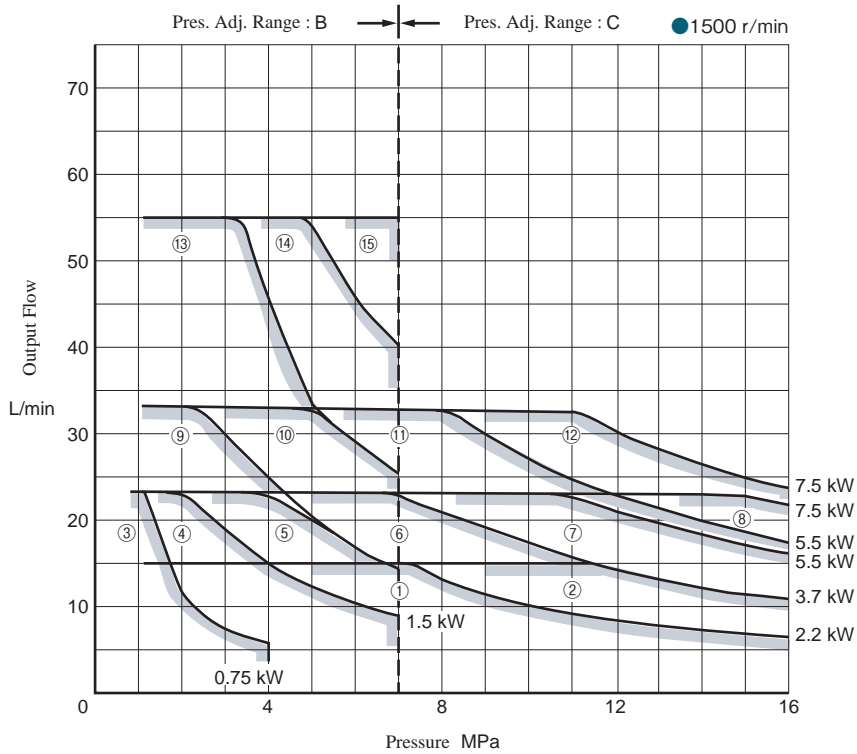
Model Number Designation

E-YA	16	-B	-6	-2.2	-50	
Series Number	Built-in Pump	Pres. Adj. Range ★ ¹ MPa	Reservoir Capacity L	Electric Motor	Design Number	
E-YA : Energy-Saving Hydraulic Power Unit YA-e Pack	10 : A10 (10.0 cm ³ /rev)	B : 1.2 - 7	6 : 60	2.2 : 2.2 kW×4P	51	
		C : 2.0 - 16	10 : 100	2.2 : 2.2 kW×4P		
				3.7 : 3.7 kW×4P		
	16 : AR16 (15.8 cm ³ /rev)	B : 1.2 - 7	1.2 - 7	2 : 18	0.75 : 0.75 kW×4P	52
				6 : 60	1.5 : 1.5 kW×4P	
				10 : 100	2.2 : 2.2 kW×4P	
		C : 2.0 - 16	2.0 - 16	10 : 100	2.2 : 2.2 kW×4P	
				10 : 100	3.7 : 3.7 kW×4P	
				10 : 100	7.5 : 7.5 kW×4P	
	22 : AR22 (22.2 cm ³ /rev)	B : 1.2 - 7	1.2 - 7	6 : 60	2.2 : 2.2 kW×4P	50
				10 : 100	3.7 : 3.7 kW×4P	
				10 : 100	2.2 : 2.2 kW×4P	
	C : 2.0 - 16	2.0 - 16	10 : 100	3.7 : 3.7 kW×4P		
			10 : 100	5.5 : 5.5 kW×4P		
			10 : 100	7.5 : 7.5 kW×4P		
37 : A37 (36.9 cm ³ /rev)	B : 1.2 - 7	1.2 - 7	10 : 100	3.7 : 3.7 kW×4P	50	
			16 : 160	5.5 : 5.5 kW×4P		
				7.5 : 7.5 kW×4P		

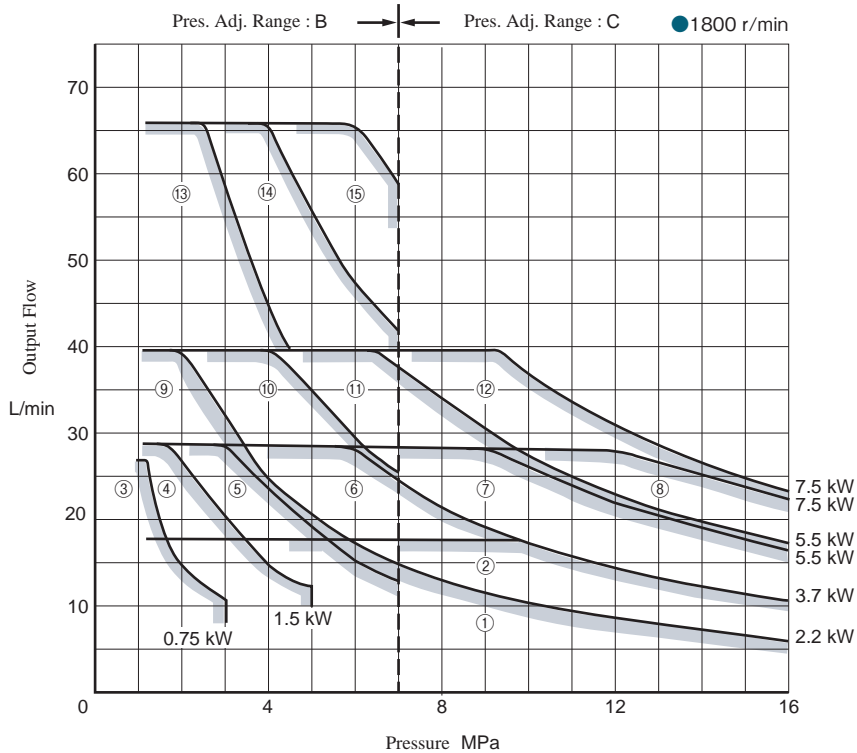
★1. Pressure adjustment range values shown are those of the pump.

Selection Graph

Below  portion of the graph is the allowable operating range with regards to rated output of electric motor.



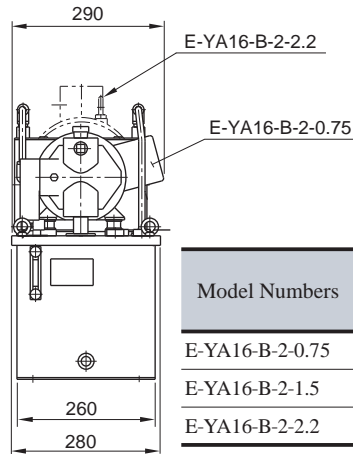
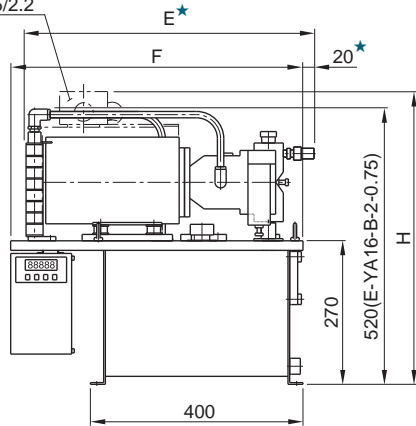
No.	Model Numbers
①	E-YA10-B-6-2.2 E-YA10-C-10-2.2
②	E-YA10-C-10-3.7
③	E-YA16-B-2-0.75
④	E-YA16-B-2-1.5
⑤	E-YA16-B-2-2.2 E-YA16-B-6-2.2 E-YA16-B-10-2.2
⑥	E-YA16-B-6-3.7 E-YA16-C-10-3.7
⑦	E-YA16-C-10-5.5
⑧	E-YA16-C-10-7.5
⑨	E-YA22-B-6-2.2 E-YA22-B-10-2.2
⑩	E-YA22-B-6-3.7 E-YA22-B-10-3.7
⑪	E-YA22-C-10-5.5
⑫	E-YA22-C-10-7.5
⑬	E-YA37-B-10-3.7
⑭	E-YA37-B-16-5.5
⑮	E-YA37-B-16-7.5



■ Dimensions

● 18L Tank Type

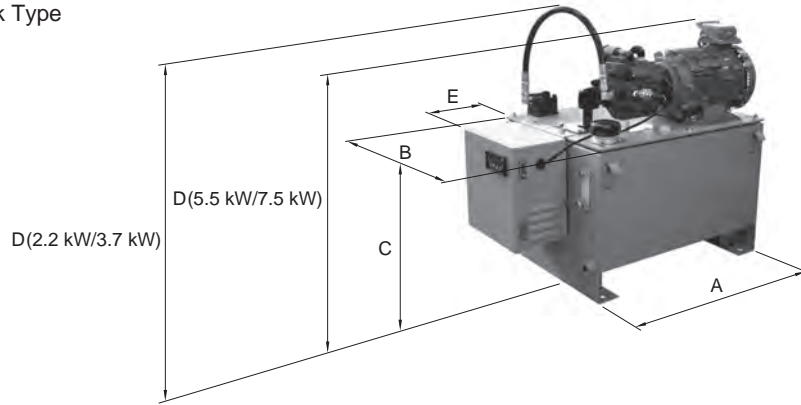
E-YA16-B-2-1.5/2.2



Model Numbers	E	F	H	Reservoir Capacity L	Electric Motor
E-YA16-B-2-0.75	530	510	—	18	0.75kW×4P
E-YA16-B-2-1.5	570	550	545		1.5kW×4P
E-YA16-B-2-2.2	595	550	555		2.2kW×4P

Note) The dimensions of hydraulic power unit except ★ part are same as the standard type YA pack, please refer to page K-26.

● 60L/100L/160L Tank Type



Model Numbers	Dimensions mm					Reservoir Capacity L	Electric Motor
	A	B	C	D	E		
E-YA10-B-6-2.2	600	450	410	740	175	60	2.2 kW×4P
E-YA10-C-10-2.2	750	500	470	820	175	100	2.2 kW×4P
E-YA10-C-10-3.7							3.7 kW×4P
E-YA16-B-6-2.2	600	450	410	740	175	60	2.2 kW×4P
E-YA16-B-6-3.7							3.7 kW×4P
E-YA16-B-10-2.2	750	500	470	820	175	100	2.2 kW×4P
E-YA16-C-10-3.7							3.7 kW×4P
E-YA16-C-10-5.5	750	500	470	910	200	100	5.5 kW×4P
E-YA16-C-10-7.5				7.5 kW×4P			
E-YA22-B-6-2.2	600	450	410	750	175	60	2.2 kW×4P
E-YA22-B-6-3.7							3.7 kW×4P
E-YA22-B-10-2.2	750	500	470	820	175	100	2.2 kW×4P
E-YA22-B-10-3.7							3.7 kW×4P
E-YA22-C-10-5.5	750	500	470	910	200	100	5.5 kW×4P
E-YA22-C-10-7.5							7.5 kW×4P
E-YA37-B-10-3.7	750	500	470	840	175	100	3.7 kW×4P
E-YA37-B-16-5.5	790	600	550	990	200	160	5.5 kW×4P
E-YA37-B-16-7.5							7.5 kW×4P

Note) The dimensions of hydraulic power unit except ★ part are same as the standard type YA pack, please refer to pages K-24, K-25 and K-27 - K-30. In case of some models, the electric motor or the drain cooler could overhang the tank.

Interchangeability between Current and New Models

As of E-YA16 type, the design number of some models has changed from 50 to 52 due to change of built-in electric motor.

Changes

Mass

Current		New	
Model Numbers	Mass kg	Model Numbers	Mass kg
E-YA16-B-2-0.75-50	48	E-YA16-B-2-0.75-52	47

Interchangeability in Installation

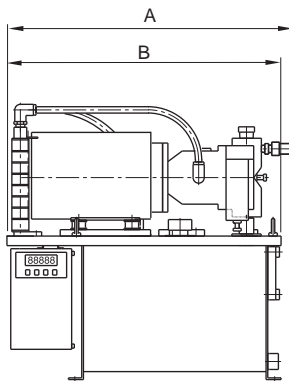
Yes

Specifications / Characteristics

Those of current and new models are same except for the mass.

Dimensions

New dimensions are the same as current except for those in the chart below.



Current or New	A	B
Current	570	550
New	530	510

По вопросам продаж и поддержки обращайтесь:

Алматы (7273)495-231
 Ангарск (3955)60-70-56
 Архангельск (8182)63-90-72
 Астрахань (8512)99-46-04
 Барнаул (3852)73-04-60
 Белгород (4722)40-23-64
 Благовещенск (4162)22-76-07
 Брянск (4832)59-03-52
 Владивосток (423)249-28-31
 Владикавказ (8672)28-90-48
 Владимир (4922)49-43-18
 Волгоград (844)278-03-48
 Вологда (8172)26-41-59
 Воронеж (473)204-51-73
 Екатеринбург (343)384-55-89
 Иваново (4932)77-34-06
 Ижевск (3412)26-03-58
 Иркутск (395)279-98-46
 Казань (843)206-01-48

Калининград (4012)72-03-81
 Калуга (4842)92-23-67
 Кемерово (3842)65-04-62
 Киров (8332)68-02-04
 Коломна (4966)23-41-49
 Кострома (4942)77-07-48
 Краснодар (861)203-40-90
 Красноярск (391)204-63-61
 Курган (3522)50-90-47
 Курск (4712)77-13-04
 Липецк (4742)52-20-81
 Магнитогорск (3519)55-03-13
 Москва (495)268-04-70
 Мурманск (8152)59-64-93
 Набережные Челны (8552)20-53-41
 Нижний Новгород (831)429-08-12
 Новокузнецк (3843)20-46-81
 Новосибирск (383)227-86-73
 Ноябрьск (3496)41-32-12

Омск (3812)21-46-40
 Орел (4862)44-53-42
 Оренбург (3532)37-68-04
 Пенза (8412)22-31-16
 Пермь (342)205-81-47
 Петрозаводск (8142)55-98-37
 Псков (8112)59-10-37
 Ростов-на-Дону (863)308-18-15
 Рязань (4912)46-61-64
 Самара (846)206-03-16
 Санкт-Петербург (812)309-46-40
 Саранск (8342)22-96-24
 Саратов (845)249-38-78
 Севастополь (8692)22-31-93
 Симферополь (3652)67-13-56
 Смоленск (4812)29-41-54
 Сочи (862)225-72-31
 Ставрополь (8652)20-65-13
 Сургут (3462)77-98-35

Сыктывкар (8212)25-95-17
 Тамбов (4752)50-40-97
 Тверь (4822)63-31-35
 Тольятти (8482)63-91-07
 Томск (3822)98-41-53
 Тула (4872)33-79-87
 Тюмень (3452)66-21-18
 Улан-Удэ (3012)59-97-51
 Ульяновск (8422)24-23-59
 Уфа (347)229-48-12
 Хабаровск (4212)92-98-04
 Чебоксары (8352)28-53-07
 Челябинск (351)202-03-61
 Череповец (8202)49-02-64
 Чита (3022)38-34-83
 Якутск (4112)23-90-97
 Ярославль (4852)69-52-93

Россия +7(495)268-04-70

Казахстан +7(7172)727-132

Киргизия +996(312)96-26-47