

Алматы (7273)495-231
 Ангарск (3955)60-70-56
 Архангельск (8182)63-90-72
 Астрахань (8512)99-46-04
 Барнаул (3852)73-04-60
 Белгород (4722)40-23-64
 Благовещенск (4162)22-76-07
 Брянск (4832)59-03-52
 Владивосток (423)249-28-31
 Владикавказ (8672)28-90-48
 Владимир (4922)49-43-18
 Волгоград (844)278-03-48
 Вологда (8172)26-41-59
 Воронеж (473)204-51-73
 Екатеринбург (343)384-55-89

Иваново (4932)77-34-06
 Ижевск (3412)26-03-58
 Иркутск (395)279-98-46
 Казань (843)206-01-48
 Калининград (4012)72-03-81
 Калуга (4842)92-23-67
 Кемерово (3842)65-04-62
 Киров (8332)68-02-04
 Коломна (4966)23-41-49
 Кострома (4942)77-07-48
 Краснодар (861)203-40-90
 Красноярск (391)204-63-61
 Курган (3522)50-90-47
 Курск (4712)77-13-04
 Липецк (4742)52-20-81

Магнитогорск (3519)55-03-13
 Москва (495)268-04-70
 Мурманск (8152)59-64-93
 Набережные Челны (8552)20-53-41
 Нижний Новгород (831)429-08-12
 Новокузнецк (3843)20-46-81
 Новосибирск (383)227-86-73
 Ноябрьск (3496)41-32-12
 Омск (3812)21-46-40
 Орел (4862)44-53-42
 Оренбург (3532)37-68-04
 Пенза (8412)22-31-16
 Пермь (342)205-81-47
 Петрозаводск (8142)55-98-37
 Псков (8112)59-10-37

Ростов-на-Дону (863)308-18-15
 Рязань (4912)46-61-64
 Самара (846)206-03-16
 Санкт-Петербург (812)309-46-40
 Саранск (8342)22-96-24
 Саратов (845)249-38-78
 Севастополь (8692)22-31-93
 Симферополь (3652)67-13-56
 Смоленск (4812)29-41-54
 Сочи (862)225-72-31
 Ставрополь (8652)20-65-13
 Сургут (3462)77-98-35
 Сыктывкар (8212)25-95-17
 Тамбов (4752)50-40-97
 Тверь (4822)63-31-35

Тольятти (8482)63-91-07
 Томск (3822)98-41-53
 Тула (4872)33-79-87
 Тюмень (3452)66-21-18
 Улан-Удэ (3012)59-97-51
 Ульяновск (8422)24-23-59
 Уфа (347)229-48-12
 Хабаровск (4212)92-98-04
 Чебоксары (8352)28-53-07
 Челябинск (351)202-03-61
 Череповец (8202)49-02-64
 Чита (3022)38-34-83
 Якутск (4112)23-90-97
 Ярославль (4852)69-52-93

Россия +7(495)268-04-70

Казахстан +7(7172)727-132

Киргизия +996(312)96-26-47

yne@nt-rt.ru || https://yuken.nt-rt.ru

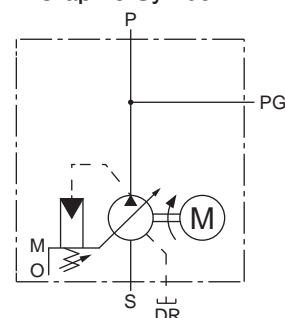
This motor-pump is ARL1 series piston pump integrated with electric motor.
 Use as auxiliaries / spare parts for YA-Light, make it compact by applicable design of motor-pumps.



Specifications

Model Numbers	Geometric Displacement cm ³ /rev	Max. Operating Pres. Rated Pres.	Electric Motor	Mass kg
AML1-6 * - * -20	6.2	7 MPa Differ by operating conditions, please contact us separately for details.	0.75 kW×4P	23
			1.5 kW×4P	26.3
			2.2 kW×4P	37
AML1-8 * - * -20	8.5		0.75 kW×4P	23
			1.5 kW×4P	26.3
			2.2 kW×4P	37
AML1-12 * - * -20	12.3		1.5 kW×4P	26.3
			2.2 kW×4P	37
AML1-16 * - * -20	16.3		1.5 kW×4P	26.3
		2.2 kW×4P	37	

Graphic Symbol



★Displacement volume adjustment function is not available.

Electric Motor Specifications

Output × Poles	Insulation Type	Voltage - Frequency V Hz	Rated Current A	Rotation Speed r/min	Inrush Current A	Coating Structure / Surrounding Environment
0.75 kW×4P	F	200-50	3.50	1460	21.8	●Coating Structure Dust & Splash Proof / Coating Surface Self Cooling Type (IP54 IC411, IEC60034-1) ●Surrounding Environment Location : Indoor Temperature : -20 - +40°C Humidity : Relative Humidity below 80%, No Condensation Elavation : Below 1000 m Corrosive Gas / Explosive Gas / Steam not exist
		200-60	3.45	1750	19.6	
		220-60	3.30	1760	21.9	
1.5 kW×4P		200-50	6.40	1450	39.8	
		200-60	6.60	1760	37.0	
		220-60	5.90	1756	39.0	
2.2 kW×4P		200-50	9.50	1450	64.0	
		200-60	9.00	1740	56.0	
		220-60	8.50	1750	64.0	

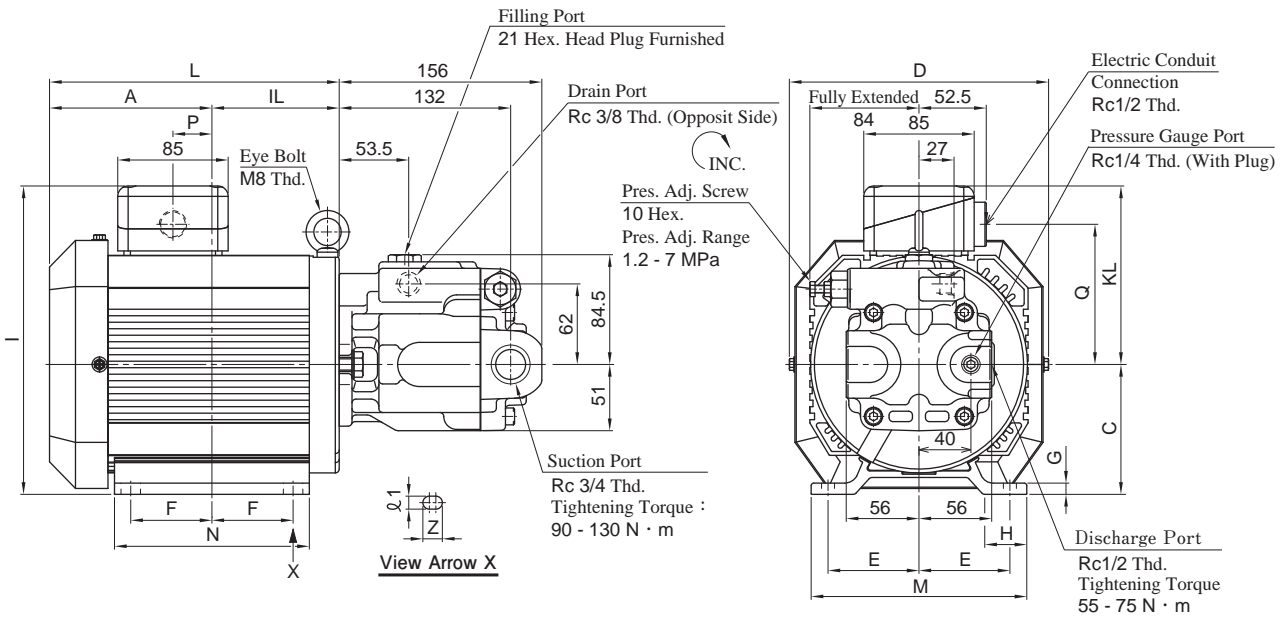
Model Number Designation

AML1	-16	A	-1.5	-20
Series Number	Geometric Displacement	Mounting Type	Electric Motor	Design Number
AML1 : AML1 Type Motor-Pumps	6 : 6.2 cm ³ /rev 8 : 8.5 cm ³ /rev	S : Side Port (Standard) A : Suction Port Position: Downwards (For Standard L Pack)	0.75 : 0.75 kW×4P 1.5 : 1.5 kW×4P 2.2 : 2.2 kW×4P	20
	12 : 12.3 cm ³ /rev 16 : 16.3 cm ³ /rev		1.5 : 1.5 kW×4P 2.2 : 2.2 kW×4P	

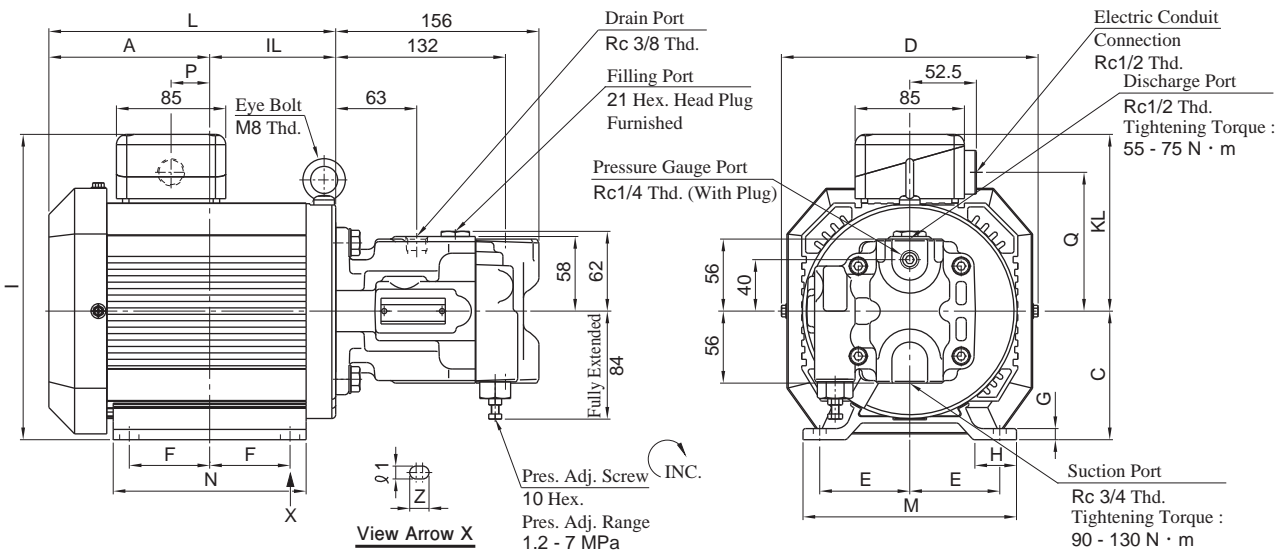
Pump Characteristics

For pump characteristics, please refer to those of ARL1 series piston pump on ["A Piston Pump"Catalog].

AML1- * S (Side Port)



AML1- * A (Suction Port Downwards)



Model Numbers	Electric Motor Output × Poles	A	IL	C	D	E	F	G	H	I	M
AML1- * * -0.75	0.75 kW×4P	108	85.5	100	200	70	50	8.7	32.4	234	166
AML1- * * -1.5	1.5 kW×4P	125.5	98	100	200	70	62.5	8.7	32.4	234	166
AML1- * * -2.2	2.2 kW×4P	139	114.5	110	218	95	70	10.7	59	254	220

Model Numbers	Electric Motor Output × Poles	N	KL	Q	Z	$\ell 1$	L	P
AML1- * * -0.75	0.75 kW×4P	125	134	108	15	10	193.5	12.5
AML1- * * -1.5	1.5 kW×4P	150	134	108	15	10	223.5	30
AML1- * * -2.2	2.2 kW×4P	185	144	118	15	12	253.5	42.5

★Electric motor for this motor-pump is not available for single sale. If spare parts required, please order as motor-pumps.

■ Interchangeability between Current and New Models

As of AML1 type motor pump, the design number has changed from 10 to 20 due to change of built-in electric motor.

● Major Changes

- (1) Mass has been increased in the range of 1.5 - 9.7 kg (Mass ratio 106 - 136%)
- (2) The body has become larger in general.
- (3) Built-in electric motor efficiency class has changed to IE3. Motor specifications have been upgraded in general.

● Interchangeability in Installation

No interchangeability. The following dimensions are different.

Non-interchangeable Element Description	Non-interchangeable Element Dimension
Distance from pump position to center of electric motor	Next Page Dimension IL
Pump Center Height	Next Page Dimension C
Mounting Position of Electric Motor	Next Page Dimension E, F, ℓ 1 [Only for AML1-**-2.2]

● Comparison of Current and New Specifications

New specifications are the same as current except for those listed below. Mass has been increased in the range of 1.5 - 9.7 kg (Mass ratio 106 - 136%)

① Mass

Model Numbers	Mass kg
AML1-**-0.75	23 (19.8)
AML1-**-1.5	26.3 (24.8)
AML1-**-2.2	37 (27.3)

★The values without parentheses represent the mass of new 20 design, those in parentheses represent the mass of current 10 design.

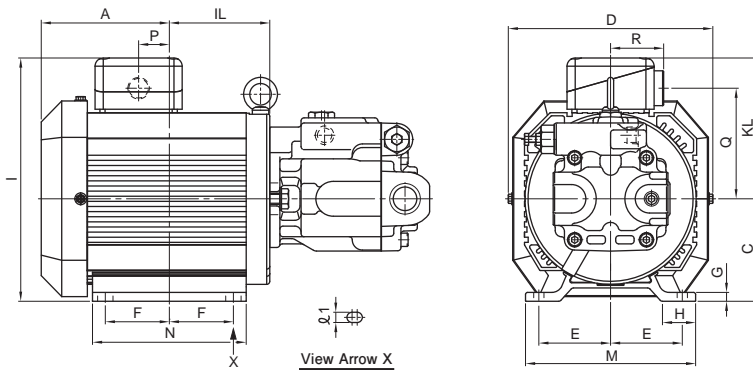
② Electric Motor

Output × Poles	Voltage - Frequency V Hz	Rated Current A	Rotation Speed r/min	Inrush Current A
0.75 kW×4P	200-50	3.50 (3.70)	1460 (1410)	21.8 (17.0)
	200-60	3.45 (3.40)	1750 (1700)	19.6 (15.5)
	220-60	3.30 (3.35)	1760 (1720)	21.9 (17.5)
1.5 kW×4P	200-50	6.40 (6.30)	1450 (1410)	39.8 (34.5)
	200-60	6.60 (6.00)	1760 (1700)	37.0 (30.0)
	220-60	5.90 (5.60)	1756 (1720)	39.0 (33.6)
2.2 kW×4P	200-50	9.50 (9.60)	1450 (1410)	64.0 (49.5)
	200-60	—	1740 (1700)	56.0 (44.5)
	220-60	—	1750 (1720)	64.0 (50.2)

★The values without parentheses represent the specifications of new 20 design, in parentheses represent those of current 10 design.

Comparison of Current and New Dimensions

New dimensions are the same as current except for those in the chart below.



Model Numbers		A	IL	C	D	E	F	G	H	I	M
Current	AML1-**-0.75-10	128.5	65	90	192			8	—	228	
	AML1-**-1.5-10	146.2	77.5	90	192			8	—	228	
	AML1-**-2.2-10	176	77.5	90	192	70	62.5	8	—	228	166
New	AML1-**-0.75-20	108	85.5	100	200			8.7	32.4	234	
	AML1-**-1.5-20	125.5	98	100	200			8.7	32.4	234	
	AML1-**-2.2-20	139	114.5	110	218	95	70	10.7	59	254	220

Model Numbers		N	KL	Q	ℓ 1	P	R
Current	AML1-**-0.75-10		138	105		18	51.5
	AML1-**-1.5-10		138	105		35.5	51.5
	AML1-**-2.2-10	150	138	105	10	65.5	51.5
New	AML1-**-0.75-20		134	108		12.5	52.5
	AML1-**-1.5-20		134	108		30	52.5
	AML1-**-2.2-20	185	144	118	12	42.5	52.5

По вопросам продаж и поддержки обращайтесь:

Алматы (7273)495-231
 Ангарск (3955)60-70-56
 Архангельск (8182)63-90-72
 Астрахань (8512)99-46-04
 Барнаул (3852)73-04-60
 Белгород (4722)40-23-64
 Благовещенск (4162)22-76-07
 Брянск (4832)59-03-52
 Владивосток (423)249-28-31
 Владикавказ (8672)28-90-48
 Владимир (4922)49-43-18
 Волгоград (844)278-03-48
 Вологда (8172)26-41-59
 Воронеж (473)204-51-73
 Екатеринбург (343)384-55-89
 Иваново (4932)77-34-06
 Ижевск (3412)26-03-58
 Иркутск (395)279-98-46
 Казань (843)206-01-48

Калининград (4012)72-03-81
 Калуга (4842)92-23-67
 Кемерово (3842)65-04-62
 Киров (8332)68-02-04
 Коломна (4966)23-41-49
 Кострома (4942)77-07-48
 Краснодар (861)203-40-90
 Красноярск (391)204-63-61
 Курган (3522)50-90-47
 Курск (4712)77-13-04
 Липецк (4742)52-20-81
 Магнитогорск (3519)55-03-13
 Москва (495)268-04-70
 Мурманск (8152)59-64-93
 Набережные Челны (8552)20-53-41
 Нижний Новгород (831)429-08-12
 Новокузнецк (3843)20-46-81
 Новосибирск (383)227-86-73
 Ноябрьск (3496)41-32-12

Омск (3812)21-46-40
 Орел (4862)44-53-42
 Оренбург (3532)37-68-04
 Пенза (8412)22-31-16
 Пермь (342)205-81-47
 Петрозаводск (8142)55-98-37
 Псков (8112)59-10-37
 Ростов-на-Дону (863)308-18-15
 Рязань (4912)46-61-64
 Самара (846)206-03-16
 Санкт-Петербург (812)309-46-40
 Саранск (8342)22-96-24
 Саратов (845)249-38-78
 Севастополь (8692)22-31-93
 Симферополь (3652)67-13-56
 Смоленск (4812)29-41-54
 Сочи (862)225-72-31
 Ставрополь (8652)20-65-13
 Сургут (3462)77-98-35

Сыктывкар (8212)25-95-17
 Тамбов (4752)50-40-97
 Тверь (4822)63-31-35
 Тольятти (8482)63-91-07
 Томск (3822)98-41-53
 Тула (4872)33-79-87
 Тюмень (3452)66-21-18
 Улан-Удэ (3012)59-97-51
 Ульяновск (8422)24-23-59
 Уфа (347)229-48-12
 Хабаровск (4212)92-98-04
 Чебоксары (8352)28-53-07
 Челябинск (351)202-03-61
 Череповец (8202)49-02-64
 Чита (3022)38-34-83
 Якутск (4112)23-90-97
 Ярославль (4852)69-52-93