

Алматы (7273)495-231
 Ангарск (3955)60-70-56
 Архангельск (8182)63-90-72
 Астрахань (8512)99-46-04
 Барнаул (3852)73-04-60
 Белгород (4722)40-23-64
 Благовещенск (4162)22-76-07
 Брянск (4832)59-03-52
 Владивосток (423)249-28-31
 Владикавказ (8672)28-90-48
 Владимир (4922)49-43-18
 Волгоград (844)278-03-48
 Вологда (8172)26-41-59
 Воронеж (473)204-51-73
 Екатеринбург (343)384-55-89

Иваново (4932)77-34-06
 Ижевск (3412)26-03-58
 Иркутск (395)279-98-46
 Казань (843)206-01-48
 Калининград (4012)72-03-81
 Калуга (4842)92-23-67
 Кемерово (3842)65-04-62
 Киров (8332)68-02-04
 Коломна (4966)23-41-49
 Кострома (4942)77-07-48
 Краснодар (861)203-40-90
 Красноярск (391)204-63-61
 Курган (3522)50-90-47
 Курск (4712)77-13-04
 Липецк (4742)52-20-81

Магнитогорск (3519)55-03-13
 Москва (495)268-04-70
 Мурманск (8152)59-64-93
 Набережные Челны (8552)20-53-41
 Нижний Новгород (831)429-08-12
 Новокузнецк (3843)20-46-81
 Новосибирск (383)227-86-73
 Ноябрьск (3496)41-32-12
 Омск (3812)21-46-40
 Орел (4862)44-53-42
 Оренбург (3532)37-68-04
 Пенза (8412)22-31-16
 Пермь (342)205-81-47
 Петрозаводск (8142)55-98-37
 Псков (8112)59-10-37

Ростов-на-Дону (863)308-18-15
 Рязань (4912)46-61-64
 Самара (846)206-03-16
 Санкт-Петербург (812)309-46-40
 Саранск (8342)22-96-24
 Саратов (845)249-38-78
 Севастополь (8692)22-31-93
 Симферополь (3652)67-13-56
 Смоленск (4812)29-41-54
 Сочи (862)225-72-31
 Ставрополь (8652)20-65-13
 Сургут (3462)77-98-35
 Сыктывкар (8212)25-95-17
 Тамбов (4752)50-40-97
 Тверь (4822)63-31-35

Тольятти (8482)63-91-07
 Томск (3822)98-41-53
 Тула (4872)33-79-87
 Тюмень (3452)66-21-18
 Улан-Удэ (3012)59-97-51
 Ульяновск (8422)24-23-59
 Уфа (347)229-48-12
 Хабаровск (4212)92-98-04
 Чебоксары (8352)28-53-07
 Челябинск (351)202-03-61
 Череповец (8202)49-02-64
 Чита (3022)38-34-83
 Якутск (4112)23-90-97
 Ярославль (4852)69-52-93

Россия +7(495)268-04-70

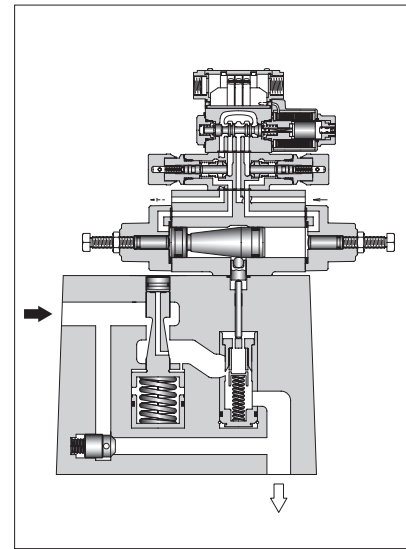
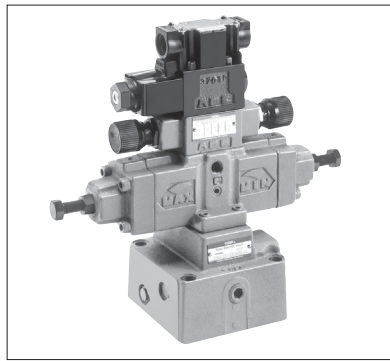
Казахстан +7(7172)727-132

Киргизия +996(312)96-26-47

yne@nt-rt.ru || https://yuken.nt-rt.ru

Pilot Operated Flow Control Valves / Pilot Operated Flow Control and Check Valves

The function of the flow control handle of the flow control valve is performed by a hydraulic cylinder. With these valves, smooth flow characteristics allow control without shocks during acceleration and deceleration. With the compensator for the pressure and temperature, stable flow control can be obtained regardless of the changes in the pressure (load) and temperature (oil viscosity).



Specifications

Model Numbers	Max. Metered Flow L/min	Min. Metered Flow L/min	Max. Operating Pressure MPa	Min. Pilot Pressure MPa	Mass kg
FH *G-02-30- *-13	30	0.05	21	1.5	13
FH *G-03-125- *-13	125	0.2			17
FH *G-06-250- *-13	250	2			32
FH *G-10-500- *-13	500	4			61

Model Number Designation

FHC	G	-02	-30	-N	-O	-A100	-N	-13
Series Number	Type of Mounting	Valve Size	Max. Metered Flow L/min	Pressure Compensator Stroke Adj. ^{★3}	With No Pilot Valve ^{★1}	Coil Type ^{★2}	Type of Electrical Connections	Design Number
FH : Pilot Operated Flow Control Valves	G : Sub-Plate Mounting	02	30	N : Applicable only for Pres. Compensator Stroke Adjustment (Option)	O : Applicable only for Without Pilot Valve	AC : A100, A120 , A240 DC : D12 , D24, D48 AC→DC Rectified : R 100, R200	None : Terminal Box Type	13
		03	125				13	
FHC : Pilot Operated Flow Cont. & Check Valves		06	250				13	
		10	500				13	

★1. Both solenoid operated directional valve (DSG-01) and throttle check modular valve (MSW-01) can be used as a pilot valve.

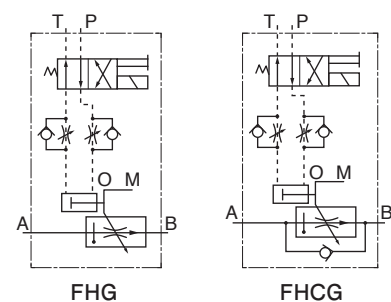
If no pilot valve is required, there is no need to specify the coil type and the electrical connection type of solenoid operated directional valve.

★2. The coil types are same as those for DSG-01 Series solenoid operated directional valves. See page D-27.

★3. Pres. Compensator Stroke Adjustment : This is used to reduce the jumping phenomenon at actuator startup.

In the table above, the symbols or numbers highlighted with shade represent the optional extras. The valves with model number having such optional extras are handled as options, therefore, please confirm the time of delivery with us before ordering.

Graphic Symbols



FHG

FHC