

Алматы (7273)495-231  
 Ангарск (3955)60-70-56  
 Архангельск (8182)63-90-72  
 Астрахань (8512)99-46-04  
 Барнаул (3852)73-04-60  
 Белгород (4722)40-23-64  
 Благовещенск (4162)22-76-07  
 Брянск (4832)59-03-52  
 Владивосток (423)249-28-31  
 Владикавказ (8672)28-90-48  
 Владимир (4922)49-43-18  
 Волгоград (844)278-03-48  
 Вологда (8172)26-41-59  
 Воронеж (473)204-51-73  
 Екатеринбург (343)384-55-89

Иваново (4932)77-34-06  
 Ижевск (3412)26-03-58  
 Иркутск (395)279-98-46  
 Казань (843)206-01-48  
 Калининград (4012)72-03-81  
 Калуга (4842)92-23-67  
 Кемерово (3842)65-04-62  
 Киров (8332)68-02-04  
 Коломна (4966)23-41-49  
 Кострома (4942)77-07-48  
 Краснодар (861)203-40-90  
 Красноярск (391)204-63-61  
 Курган (3522)50-90-47  
 Курск (4712)77-13-04  
 Липецк (4742)52-20-81

Магнитогорск (3519)55-03-13  
 Москва (495)268-04-70  
 Мурманск (8152)59-64-93  
 Набережные Челны (8552)20-53-41  
 Нижний Новгород (831)429-08-12  
 Новокузнецк (3843)20-46-81  
 Новосибирск (383)227-86-73  
 Ноябрьск (3496)41-32-12  
 Омск (3812)21-46-40  
 Орел (4862)44-53-42  
 Оренбург (3532)37-68-04  
 Пенза (8412)22-31-16  
 Пермь (342)205-81-47  
 Петрозаводск (8142)55-98-37  
 Псков (8112)59-10-37

Ростов-на-Дону (863)308-18-15  
 Рязань (4912)46-61-64  
 Самара (846)206-03-16  
 Санкт-Петербург (812)309-46-40  
 Саранск (8342)22-96-24  
 Саратов (845)249-38-78  
 Севастополь (8692)22-31-93  
 Симферополь (3652)67-13-56  
 Смоленск (4812)29-41-54  
 Сочи (862)225-72-31  
 Ставрополь (8652)20-65-13  
 Сургут (3462)77-98-35  
 Сыктывкар (8212)25-95-17  
 Тамбов (4752)50-40-97  
 Тверь (4822)63-31-35

Тольятти (8482)63-91-07  
 Томск (3822)98-41-53  
 Тула (4872)33-79-87  
 Тюмень (3452)66-21-18  
 Улан-Удэ (3012)59-97-51  
 Ульяновск (8422)24-23-59  
 Уфа (347)229-48-12  
 Хабаровск (4212)92-98-04  
 Чебоксары (8352)28-53-07  
 Челябинск (351)202-03-61  
 Череповец (8202)49-02-64  
 Чита (3022)38-34-83  
 Якутск (4112)23-90-97  
 Ярославль (4852)69-52-93

Россия +7(495)268-04-70

Казахстан +7(7172)727-132

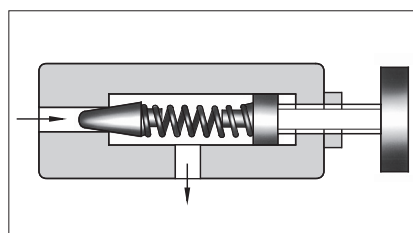
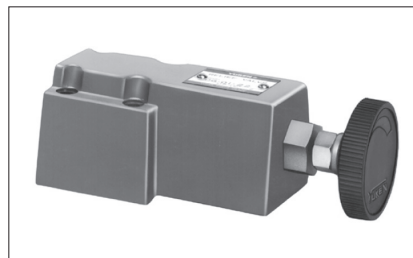
Киргизия +996(312)96-26-47

yne@nt-rt.ru || https://yuken.nt-rt.ru

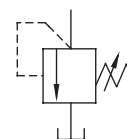
This valve is used as a remote control valve for pilot operated type pressure control valves.

## Specifications

| Model Numbers       |                    | Max. Operating Pressure MPa | Approx. Mass kg |         |
|---------------------|--------------------|-----------------------------|-----------------|---------|
| Threaded Connection | Sub-plate Mounting |                             | DT Type         | DG Type |
| DT-01-22            | DG-01-22           | 25                          | 1.6             | 1.4     |



Graphic Symbol



## Model Number Designation

| D                                | T   | -01        | -22           |
|----------------------------------|---|------------|---------------|
| Series Number                    | Type of Mounting                                  | Valve Size | Design Number |
| D : Remote Control Relief Valves | T : Threaded Connection<br>G : Sub-plate Mounting | 01         | 22            |
|                                  |   |            | 22            |

## Accessories

### Mounting Bolts

| Valve Model Numbers | Socket Head Cap Screw |
|---------------------|-----------------------|
| DG-01               | M5x45L.....4 Pcs.     |

### Sub-plate

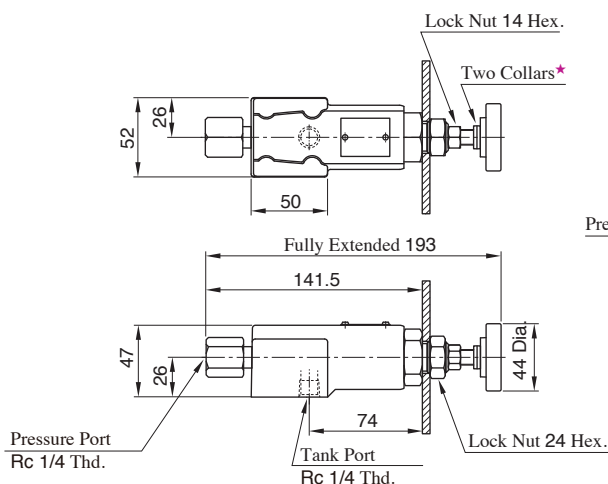
| Valve Model Numbers | Sub-plate Model Numbers | Thread Size Rc | Approx. Mass kg |
|---------------------|-------------------------|----------------|-----------------|
| DG-01               | DGM-02-20               | 1/4            | 0.7             |

- Sub-plates are available. Specify the sub-plate model number from the table above. When sub-plates are not used, the mounting surface should have a good machined finish. (1/16)

## Instructions

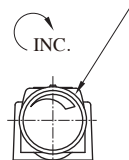
- To adjust the pressure, loosen the lock nut and turn the handle slowly clockwise for higher pressures or anti-clockwise for lower pressures. After adjustments, do not forget to tighten the lock nut.
- If the internal volume of the vent line is too large, chattering is likely to occur, so please use the pipes with 4mm inside diameter.
- Piping of the tank line should not be connected to any tank line of the other valves, but connected directly to the reservoir.
- In case of using for vent control, if pilot relief valve fully closed, the pressure of system is equal to the setting pressure of main valve.

## DT-01

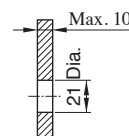


★ Pressure is limited by collars fitted. If a working pressure cannot be attained, remove some collars. One collar is equivalent to 10 MPa.

Pressure Adjustment Handle

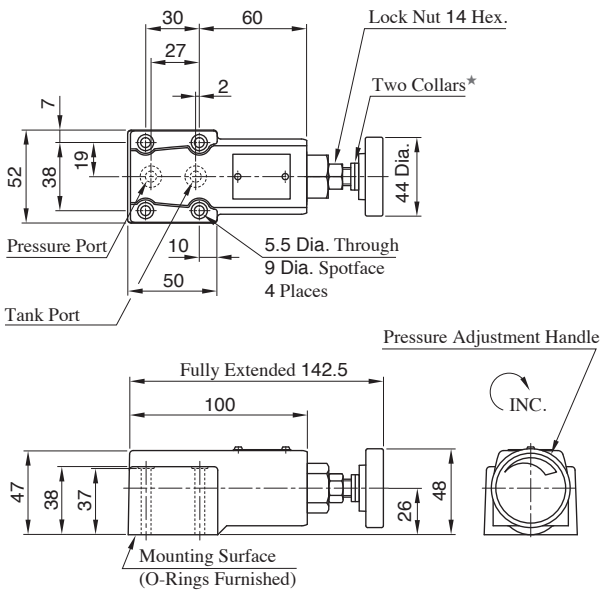


Dimensions of The Panel Mounting Hole

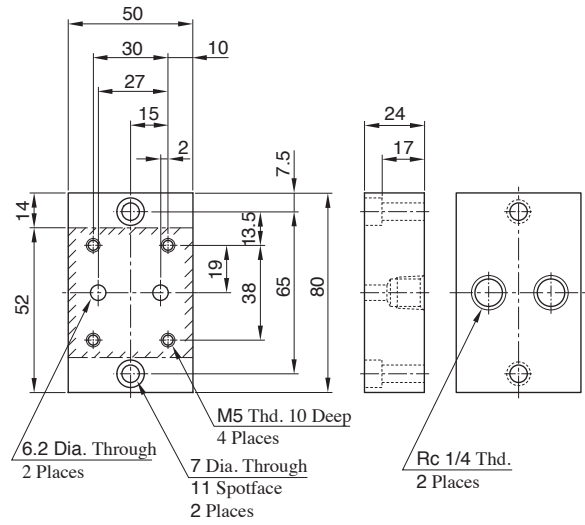


### DG-01

★ Pressure is limited by collars fitted. If a working pressure cannot be attained, remove some collars. One collar is equivalent to 10 MPa.

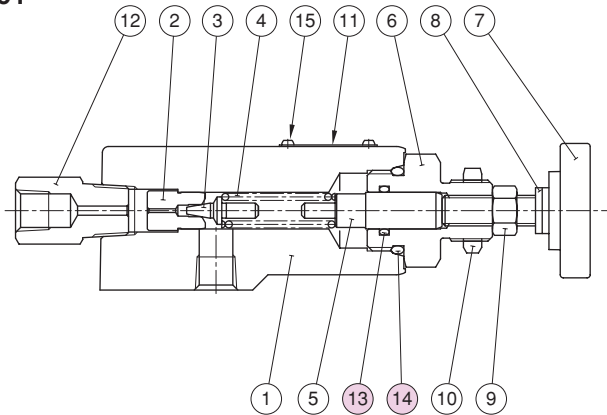


### Sub-plate : DGM-02



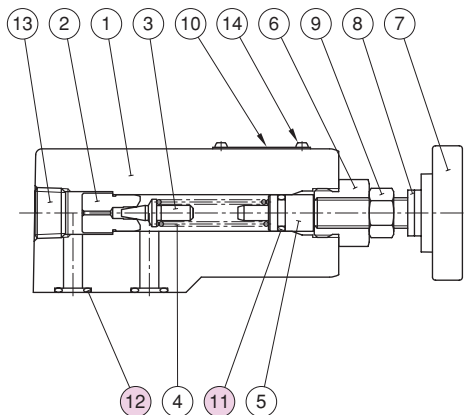
### List of Seals

#### DT-01



| Item | Name of Parts | Part Numbers         | Qty. |
|------|---------------|----------------------|------|
| 13   | O-Ring        | OR NBR-70-1<br>P12-N | 1    |
| 14   | O-Ring        | OR NBR-90<br>P22.4-N | 1    |

#### DG-01



| Item | Name of Parts | Part Numbers        | Qty. |
|------|---------------|---------------------|------|
| 11   | O-Ring        | OR NBR-70-1<br>P9-N | 1    |
| 12   | O-Ring        | OR NBR-90<br>P9-N   | 2    |

# Direct Type Relief Valves

This valve is used in a hydraulic circuit to prevent damage due to over pressure and to adjust the maximum circuit pressure of small capacity.

## Specifications

| Model Numbers       |                    | Max. Operating Pressure MPa | Pres. Adj. Range MPa | Max. Flow L/min | Approx. Mass kg |         |
|---------------------|--------------------|-----------------------------|----------------------|-----------------|-----------------|---------|
| Threaded Connection | Sub-plate Mounting |                             |                      |                 | DT Type         | DG Type |
| DT-02-* -22         | DG-02-* -22        | 21                          | ★                    | 16              | 1.5             | 1.5     |

★ Refer to the model number designation.

## Model Number Designation

| D                             | T                       | -02        | -B                         | -22           |
|-------------------------------|-------------------------|------------|----------------------------|---------------|
| Series Number                 | Type of Mounting        | Valve Size | Pres. Adj. Range           | Design Number |
| D : Direct Type Relief Valves | T : Threaded Connection | 02         | B : ★ - 7                  | 22            |
|                               | G : Sub-plate Mounting  |            | C : 3.5 - 14<br>H : 7 - 21 | 22            |

★ Refer to the minimum adjustment pressure characteristics.

## Instructions

- To adjust the pressure, loosen the lock nut and turn the handle slowly clockwise for higher pressures or anti-clockwise for lower pressures. After adjustments, do not forget to tighten the lock nut.
- Piping of the tank line should not be connected to any tank line of the other valves, but connected directly to the reservoir.

## Accessories

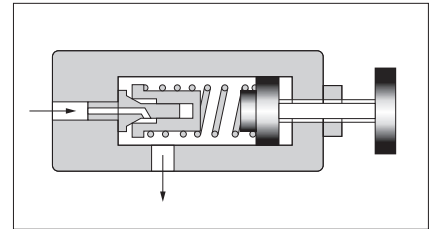
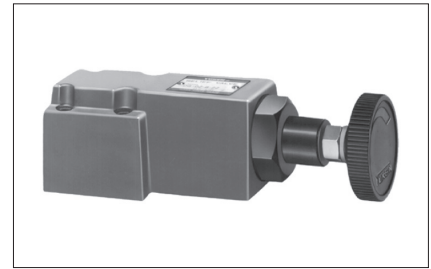
### Mounting Bolts

| Valve Model Numbers | Socket Head Cap Screw |
|---------------------|-----------------------|
| DG-02               | M5×45L.....4 Pcs.     |

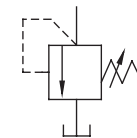
## Sub-plate

| Valve Model Numbers | Sub-plate Model Numbers | Thread Size Rc | Approx. Mass kg |
|---------------------|-------------------------|----------------|-----------------|
| DG-02               | DGM-02-20               | 1/4            | 0.7             |

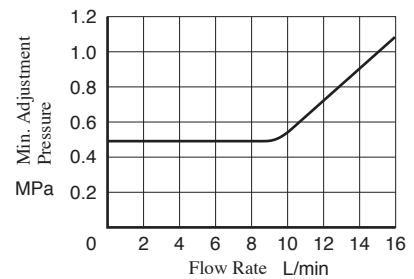
- Sub-plates are available. Specify the sub-plate model number from the table above. When sub-plates are not used, the mounting surface should have a good machined finish. ( $\sqrt[1.6]{}$ )
- The sub-plates are those for remote control relief valves. For dimensions, see page C-4.



Graphic Symbol

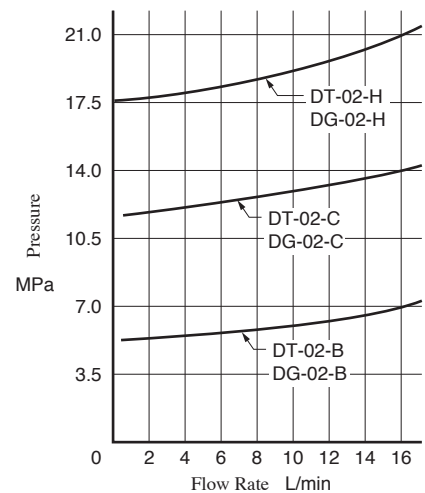


## Min. Adjustment Pressure

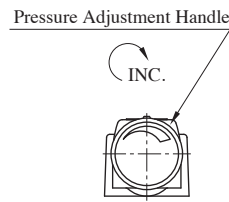
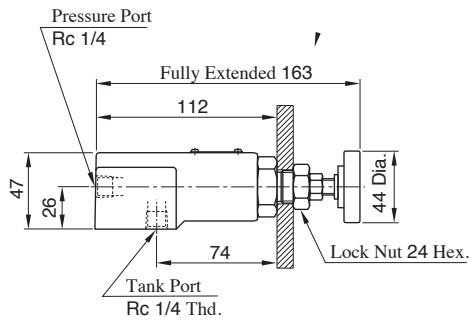
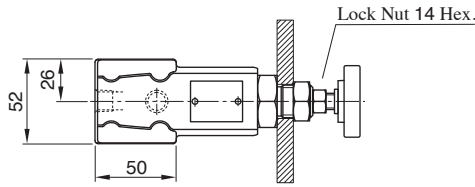


## Nominal Override Characteristics

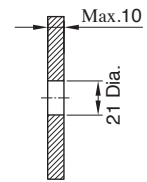
Hydraulic fluid  
Viscosity : 35 mm<sup>2</sup>/s  
Specific Gravity : 0.850



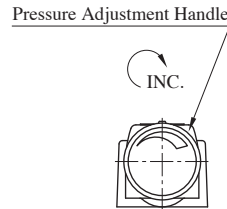
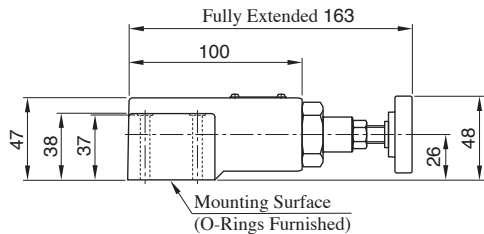
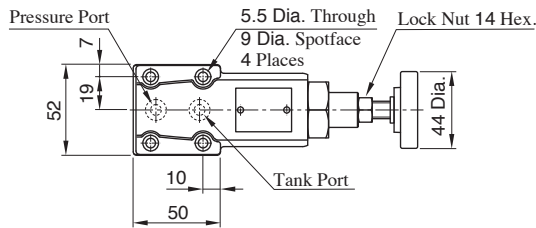
## DT-02



### Dimensions of The Panel Mounting Hole



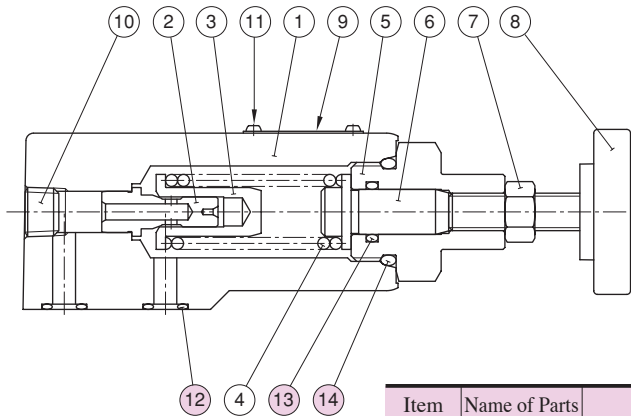
## DG-02



Note: For dimensions of the valve mounting surface, see the dimensional drawing (page C-4) of the sub-plate used together.

## List of Seals

DT-02  
DG-02



| Item | Name of Parts | Part Numbers      | Qty. | Remarks            |
|------|---------------|-------------------|------|--------------------|
| 12   | O-Ring        | OR NBR-90 P9-N    | 2    | Use only for DG-02 |
| 13   | O-Ring        | OR NBR-70-1 P12-N | 1    |                    |
| 14   | O-Ring        | OR NBR-90 P22.4-N | 1    |                    |

Алматы (7273)495-231  
Ангарск (3955)60-70-56  
Архангельск (8182)63-90-72  
Астрахань (8512)99-46-04  
Барнаул (3852)73-04-60  
Белгород (4722)40-23-64  
Благовещенск (4162)22-76-07  
Брянск (4832)59-03-52  
Владивосток (423)249-28-31  
Владикавказ (8672)28-90-48  
Владимир (4922)49-43-18  
Волгоград (844)278-03-48  
Вологда (8172)26-41-59  
Воронеж (473)204-51-73  
Екатеринбург (343)384-55-89

Иваново (4932)77-34-06  
Ижевск (3412)26-03-58  
Иркутск (395)279-98-46  
Казань (843)206-01-48  
Калининград (4012)72-03-81  
Калуга (4842)92-23-67  
Кемерово (3842)65-04-62  
Киров (8332)68-02-04  
Коломна (4966)23-41-49  
Кострома (4942)77-07-48  
Краснодар (861)203-40-90  
Красноярск (391)204-63-61  
Курган (3522)50-90-47  
Курск (4712)77-13-04  
Липецк (4742)52-20-81

Магнитогорск (3519)55-03-13  
Москва (495)268-04-70  
Мурманск (8152)59-64-93  
Набережные Челны (8552)20-53-41  
Нижегород (831)429-08-12  
Новокузнецк (3843)20-46-81  
Новосибирск (383)227-86-73  
Ноябрьск (3496)41-32-12  
Омск (3812)21-46-40  
Орел (4862)44-53-42  
Оренбург (3532)37-68-04  
Пенза (8412)22-31-16  
Пермь (342)205-81-47  
Петрозаводск (8142)55-98-37  
Псков (8112)59-10-37

Ростов на Дону (863)308-18-15  
Рязань (4912)46-61-64  
Самара (846)206-03-16  
Санкт-Петербург (812)309-46-40  
Саранск (8342)22-96-24  
Саратов (845)249-38-78  
Севастополь (8692)22-31-93  
Симферополь (3652)67-13-56  
Смоленск (4812)29-41-54  
Сочи (862)225-72-31  
Ставрополь (8652)20-65-13  
Сургут (3462)77-98-35  
Сыктывкар (8212)25-95-17  
Тамбов (4752)50-40-97  
Тверь (4822)63-31-35

Тольятти (8482)63-91-07  
Томск (3822)98-41-53  
Тула (4872)33-79-87  
Тюмень (3452)66-21-18  
Улан-Удэ (3012)59-97-51  
Ульяновск (8422)24-23-59  
Уфа (347)229-48-12  
Хабаровск (4212)92-98-04  
Чебоксары (8352)28-53-07  
Челябинск (351)202-03-61  
Череповец (8202)49-02-64  
Чита (3022)38-34-83  
Якутск (4112)23-90-97  
Ярославль (4852)69-52-93